

VW T4

SUITABLE FOR CAMPERVANS

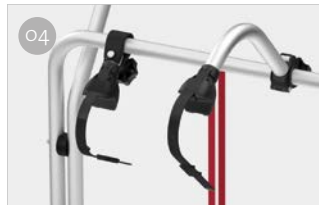


FROM 2 TO 3 BIKES

For Volkswagen T4 with single rear door.

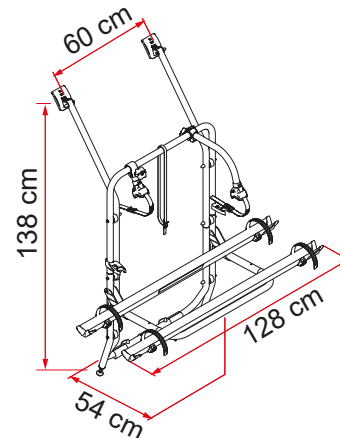
FEATURES:

- It allows the tailgate to be opened with the bike carrier mounted without bikes
- Aluminium 6060 rail support base



- 01 Upper brackets**
Designed to follow the shape of the vehicle
- 02 Stabilisation system**
To increase the safety of your bike carrier

- 03 Rail Quick Pro**
For quick and secure locking of the wheel to the rail
- 04 Bike-Block**
To securely lock the bike



Description	VW T4
Item No.	02094-18A
Colour	Aluminium
Installation	
Vehicle	Campervans
Technical features	
Bikes carried standard	2
Bikes carried max	4
Max load	60 kg
E-Bike	-
Position	Tailgate
Vertical wheelbase	138 cm
Horizontal wheelbase (distance between brackets)	60 cm
Dimensions *	128 x 54 x 138 cm
Weight	8,3 kg
Easy Position	●
Rail type	Rail Quick Pro
Bike-Block	Pro 1 / Pro 3
Distance between rails	15 cm
Licence Plate Carrier	●

* with rail support base in standard open position and in models with minimum adjustable vertical wheelbase

● Standard ● Optional