

VW T4 D

SUITABLE FOR CAMPERVANS



FOR 2 BIKES

For Volkswagen T4 with double rear doors.

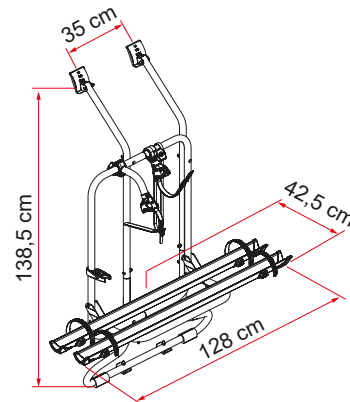
FEATURES:

- It allows the tailgate to be opened with the bike carrier mounted without bikes
- Aluminium 6060 rail support base



- 01 Upper brackets**
Designed to follow the shape of the vehicle
- 02 Protective bumpers**
To protect your vehicle from scratches and impacts

- 03 Rail Plus**
New design for increased torsion and flexural strength
- 04 Bike-Block**
To securely lock the bike



Description	VW T4 D
Item No.	02096-22-
Colour	Aluminium
Installation	
Vehicle	Campervans
Technical features	
Bikes carried standard	2
Bikes carried max	2
Max load	35 kg
E-Bike	-
Position	double door
Vertical wheelbase	138,5 cm
Horizontal wheelbase (distance between brackets)	35 cm
Dimensions *	128 x 42,5 x 138,5 cm
Weight	7,9 kg
Easy Position	●
Rail type	Rail Plus
Bike-Block	Pro 1 / Pro 2
Distance between rails	15 cm
Licence Plate Carrier	●

* with rail support base in standard open position and in models with minimum adjustable vertical wheelbase

● Standard ● Optional