

**UL**

SUITABLE FOR MOTORHOMES

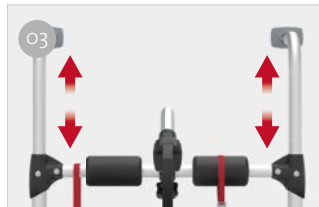


FROM 2 TO 3 BIKES

Anodised aluminium structure, height adjustable from 80 to 150cm.

**FEATURES:**

- Height-adjustable structure
- Aluminium 6060 rail support base light and resistant
- Lower fixing bar

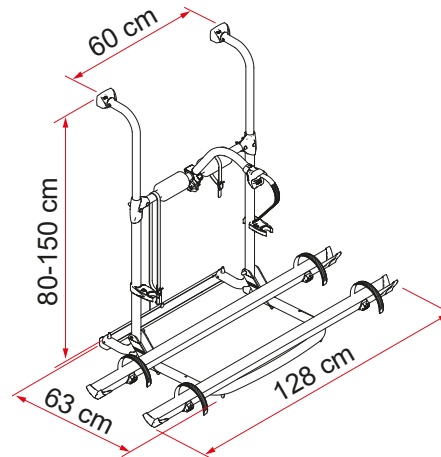


**O1 Rail Quick Pro**  
For quick and secure locking of the wheel to the rail

**O3 Upper structure**  
Height adjustable

**O2 Protective bumpers**  
To protect your bikes from scratches and impacts

**O4 Bike-Block**  
To securely lock the bike



Description	UL
Item No.	02093B86A
Colour	Aluminium
Installation	
Vehicle	Motorhome
Technical features	
Bikes carried standard	2
Bikes carried max	3
Max load	50kg
E-Bike	-
Position	Rear Wall
Vertical wheelbase	80 - 150cm
Horizontal wheelbase (distance between brackets)	60cm
Dimensions*	128 x 63 x 80cm
Weight	5,6kg
Easy Position	-
Rail type	Rail Quick Pro
Bike-Block	Pro 3
Distance between rails	15cm

● Standard    ● Optional

\* with rail support base in standard open position and in models with minimum adjustable vertical wheelbase