

Pro

SUITABLE FOR MOTORHOMES

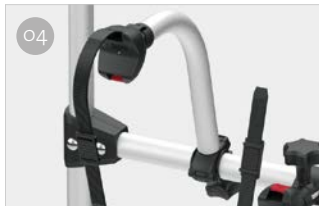
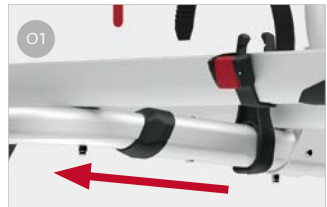


FROM 2 TO 4 BIKES / 2 E-BIKE

Anodised aluminium frame with oval section tubes, height adjustable from 80 to 150cm.

FEATURES:

- 6060 aluminium tubes with oval section
- Height-adjustable frame
- For transporting up to 4 standard bikes or 2 E-Bikes
- New Rail Plus

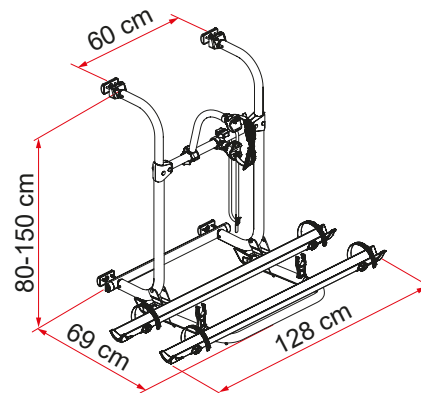


O1 Telescopic rail support base
Aluminium, light weight and oval section, increased safety

O3 Tubes
Aluminium 6060, oval section

O2 Rail Plus
New design for increased torsion and flexural strength

O4 Bike-Block
To securely lock the bike



Description	Pro
Item No.	02096-09- / 02096-09V **
Colour	Aluminium
Installation	
Vehicle	Motorhome
Technical features	
Bikes carried standard	2
Bikes carried max	4
Max load	60kg
E-Bike	si
Position	Rear wall
Vertical wheelbase	80 - 150cm
Horizontal wheelbase (distance between brackets)	60cm
Dimensions*	128 x 69 x 80cm
Weight	10,2kg
Easy Position	●
Rail type	Rail Plus
Bike-Block	Pro 1 / Pro 3
Distance between rails	15cm

● Standard ● Optional

* with rail support base in standard open position and in models with minimum adjustable vertical wheelbase
 ** N version (Item No. 02096-09V) for vehicles with Fiamma original brackets pre-installed on it.