

# Pro C

SUITABLE FOR MOTORHOMES

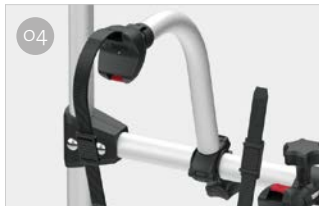
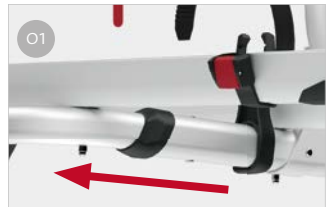


FROM 2 TO 4 BIKES / 2 E-BIKE

Compact structure with adjustable height from 40 to 80cm, ideal for vehicles with rear window.

## FEATURES:

- 6060 aluminium tubes with oval section
- Height-adjustable frame
- For transporting up to 4 standard bikes or 2 E-Bikes
- New Rail Plus

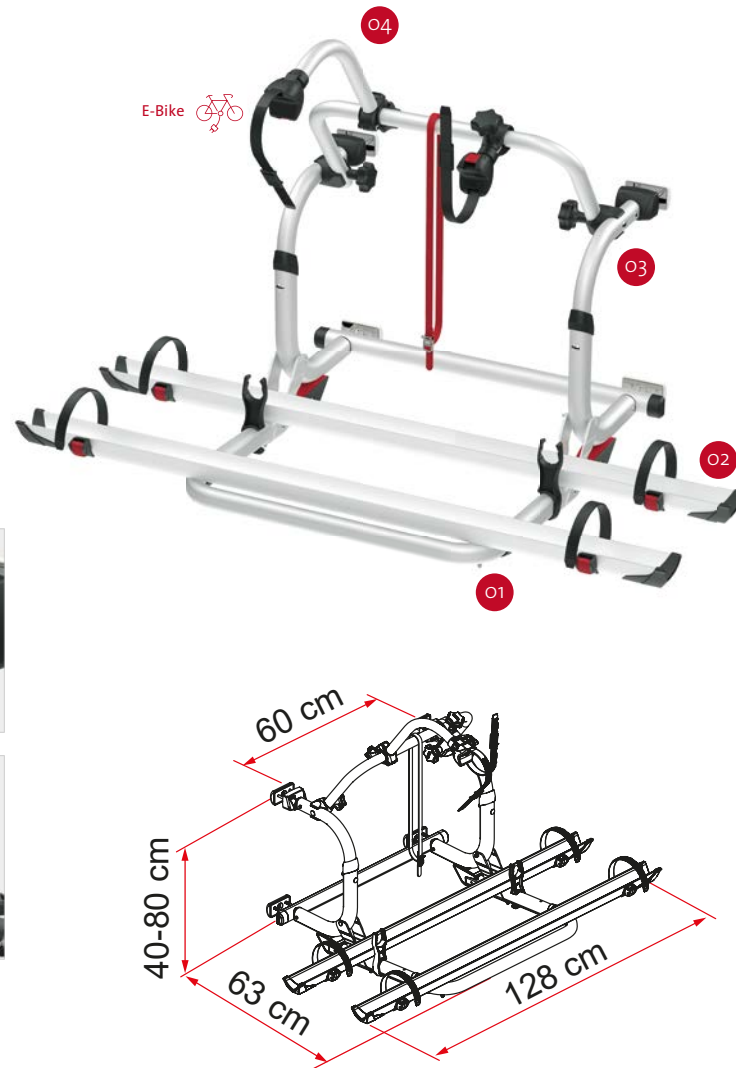


**O1 Telescopic rail support base**  
Aluminium, light weight and oval section, increased safety

**O3 Tubes**  
Aluminium 6060, oval section

**O2 Rail Plus**  
New design for increased torsion and flexural strength

**O4 Bike-Block**  
To securely lock the bike



Description	Pro C
Item No.	02096-10- / 02096-10V **
Colour	Aluminium
Installation	
Vehicle	Motorhome
Technical features	
Bikes carried standard	2
Bikes carried max	4
Max load	60 kg
E-Bike	si
Position	Rear wall
Vertical wheelbase	40-80cm
Horizontal wheelbase (distance between brackets)	60cm
Dimensions*	128 x 63 x 40cm
Weight	9,0kg
Easy Position	●
Rail type	Rail Plus
Bike-Block	Pro 1 / Pro 3
Distance between rails	15 cm

● Standard ○ Optional

\* with rail support base in standard open position and in models with minimum adjustable vertical wheelbase

\*\* N version (Item No. 02096-10V) for vehicles with Fiamma original brackets pre-installed on it.