

PSA

SUITABLE FOR CAMPERVANS

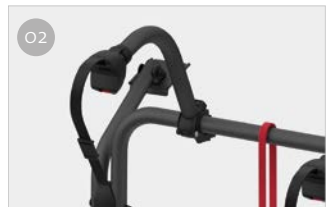
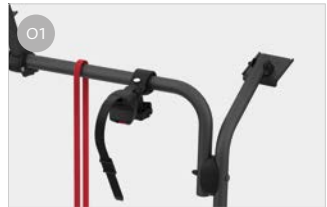


FROM 2 TO 4 BIKES / 2 E-BIKE

Adheres to the lower part of the tailgate thanks to the curved profile that follows the shape of the vehicle.

FEATURES:

- Version dedicated to PSA group camper vans
- Allows the tailgate to be opened with the bike carrier mounted without bikes
- Aluminium 6060 rail support base

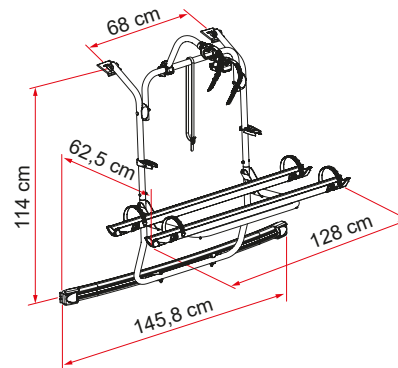


01 Upper brackets
Designed to follow the shape of the vehicle

02 Bike Block
To securely lock the bike

03 Rail Plus
New design for increased torsion and flexural strength

04 Calendered bottom fixing-bar
For greater adhesion to the tailgate



Description	PSA
Item No.	02096-28- /02096-28A
Colour	Aluminium / Deep Black
Vehicle	Campervan
Bikes carried standard	2
Bikes carried max	4
Max load	60kg
E-Bike	yes
Position	tailgate
Vertical wheelbase	114cm
Horizontal wheelbase (distance between brackets)	68cm
Dimensions *	145,8 x 62,5 x 114cm
Weight	11,3kg
Easy Position	●
Rail type	Rail Plus
Bike-Block	Pro 1 / Pro 3
Distance between rails	15cm
Licence Plate Carrier	○

● Standard ○ Optional

* with rail support base in standard open position and in models with minimum adjustable vertical wheelbase