

Mercedes Vito

SUITABLE FOR CAMPERVAN



FROM 2 TO 4 BIKES / 2 E-BIKE

For vehicles with single rear door.

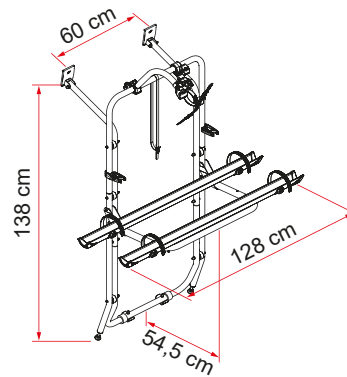
FEATURES:

- Allows the tailgate to be opened with the bike carrier mounted without bikes
- Telescopic rail support base made of stainless steel AISI 304 and aluminium 6060



- O1 Upper brackets**
Designed to follow the shape of the vehicle
- O2 Stabilisation system**
To increase the safety of your bike carrier

- O3 Rail Plus**
New design for increased torsion and flexural strength
- O4 Bike Block**
To securely lock the bike



Description	Mercedes Vito
Item No.	02096-02-
Colour	Aluminium
Installation	
Vehicle	Campervan
Technical features	
Bikes carried standard	2
Bikes carried max	4
Max load	60kg
E-Bike	yes
Position	tailgate
Vertical wheelbase	138cm
Horizontal wheelbase (distance between brackets)	60cm
Dimensions *	128 x 54,5 x 138cm
Weight	9,2kg
Easy Position	●
Rail type	Rail Plus
Bike-Block	Pro 1 / Pro 3
Distance between rails	15cm
Licence Plate Carrier	●

● Standard ● Optional

* with rail support base in standard open position and in models with minimum adjustable vertical wheelbase