

Mercedes V Class Premium

SUITABLE FOR CAMPERVANS

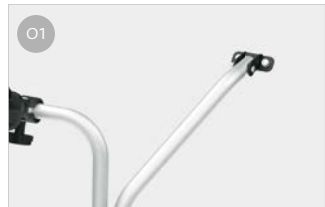


FROM 2 TO 4 BIKES / 2 E-BIKE

For vehicles with single rear door, the rail support is mounted in the standard or lowered position. Lower version must be used with license plate bar with lights.

FEATURES:

- It allows the tailgate to be opened with the bike carrier mounted without bikes
- Telescopic rail support base made of stainless steel AISI 304 and aluminium 6060

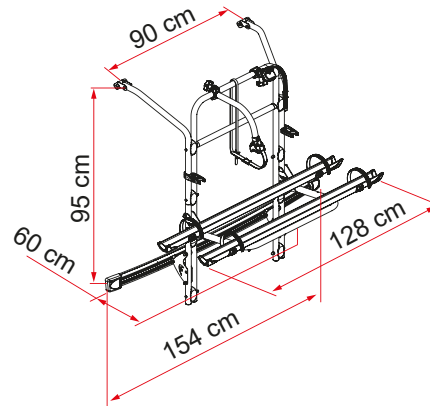


01 Upper brackets
Designed to follow the shape of the vehicle

02 Bike Block
To securely lock the bike

03 Rail Plus
New design for increased torsion and flexural strength

04 Calendered bottom fixing-bar
For greater adhesion to the tailgate



Description	Mercedes V Class Premium
Item No.	02096-14-
Colour	Aluminium
Vehicle	Campervan
Bikes carried standard	2
Bikes carried max	4
Max load	60 kg
E-Bike	si
Position	tailgate
Vertical wheelbase	95 cm
Horizontal wheelbase (distance between brackets)	90 cm
Dimensions *	154 x 60 x 95 cm
Weight	18,3 kg
Easy Position	●
Rail type	Rail Plus
Bike-Block	Pro 1 / Pro 3
Distance between rails	15 cm
Licence Plate Carrier	○

● Standard ○ Optional

* with rail support base in standard open position and in models with minimum adjustable vertical wheelbase