

Mercedes V Class Lift E-Bike

SUITABLE FOR CAMPERVANS



FOR 2 BIKES / 2 E-BIKE

E-Bike version of V Class Premium for 2 bikes, with rail support base that drops by 77cm. Complete with license plate bar with lights.

FEATURES:

- It allows the tailgate to be opened with the bike carrier mounted without bikes
- Telescopic rail support base made of stainless steel AISI 304 and aluminium 6060



01



03



02



04

01 Upper brackets

Designed to follow the shape of the vehicle

02 Dropping support rail

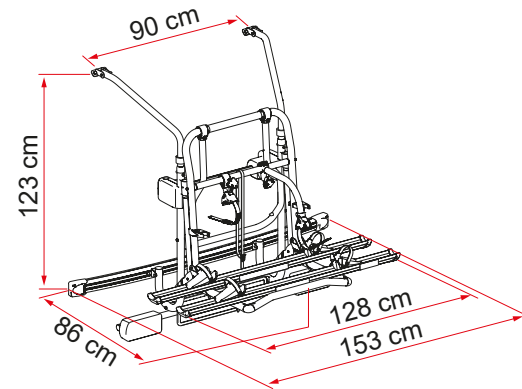
Lowers by 77cm to load and unload bicycles effortlessly

03 Rail Premium

With bicycle support block for tyres up to 2.8"

04 Bike Block

To securely lock the bike



Description	Mercedes V Class Premium Lift E-Bike
Item No.	02095A15A
Colour	Aluminium
Vehicle	Campervan
Bikes carried standard	2
Bikes carried max	2
Max load	60 kg
E-Bike	ja
Position	tailgate
Vertical wheelbase	123 cm
Horizontal wheelbase (distance between brackets)	90 cm
Dimensions *	153 x 86 x 123 cm
Weight	20,5 kg
Easy Position	-
Rail type	Rail Premium
Bike-Block	Pro S 1 / Pro S 3
Distance between rails	23 cm
Licence Plate Carrier	●

● Standard ○ Optional

* with rail support base in standard open position and in models with minimum adjustable vertical wheelbase