

Ford Custom

SUITABLE FOR CAMPERVANS



FROM 2 TO 3 BIKES

For vehicles with single tailgate and also for models with lift roof.

Adheres to the lower part of the tailgate thanks for the curved profile that follows the shape of the vehicle.

FEATURES:

- Allows the tailgate to be opened with the bike carrier mounted without bikes
- Aluminium 6060 rail support base

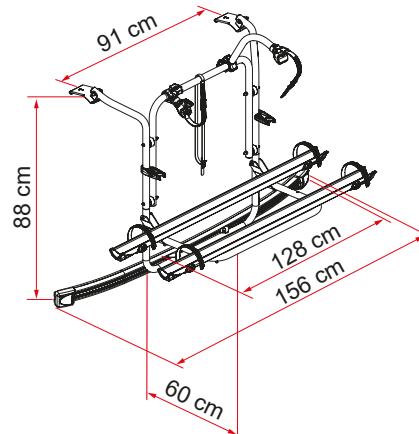


01 Upper brackets
Designed to follow the shape of the vehicle

02 Bike Block
To securely lock the bike

03 Rail Plus
New design for increased torsion and flexural strength

04 Calendered bottom fixing-bar
For greater adhesion to the tailgate



Description	Ford Custom
Item No.	02096-06A
Colour	Deep Black
Vehicle	Campervans
Bikes carried standard	2
Bikes carried max	3
Max load	50 kg
E-Bike	si
Position	Tailgate
Vertical wheelbase	88 cm
Horizontal wheelbase (distance between brackets)	91 cm
Dimensions *	156 x 60 x 88 cm
Weight	8,6 kg
Easy Position	●
Rail type	Rail Plus
Bike-Block	Pro 1 / Pro 3
Distance between rails	15 cm
Licence Plate Carrier	○

● Standard ○ Optional

* with rail support base in standard open position and in models with minimum adjustable vertical wheelbase