

# Caravan XL A Pro 300

SUITABLE FOR CARAVANS

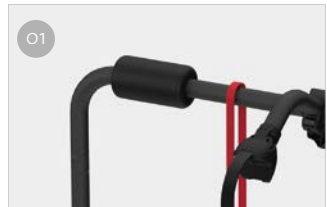


FROM 2 TO 3 BIKES / 2 E-BIKE

Provided with stainless steel rail support base and reinforced bar, to carry 3 bikes or 2 E-Bikes.

## FEATURES:

- Installation without drilling holes on standard A-frames
- The upper part pivots forward allowing access to the storage compartment even when bikes are mounted

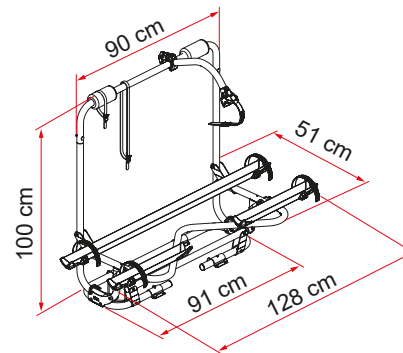


**O1 Protective bumpers**  
To protect your bikes from scratches and impacts

**O3 Bike-Block**  
To securely lock the bike

**O2 Rail Plus**  
New design for increased torsion and flexural strength

**O4 Two-piece rail**  
Does not interfere with the caravan's parking systems



Description	Caravan XL A Pro 300
Item No.	02096-91- / 02096-91A
Colour	Aluminium / Deep Black
Installation	
Vehicle	Caravan
<b>Technical features</b>	
Bikes carried standard	2
Bikes carried max	3
Max load	50kg
E-Bike	yes
Position	A frame
Dimensions*	128 x 51 x 100cm
Weight	10,0kg
Rail type	Rail Plus
Bike-Block	Pro 3
Distance between rails	15cm
A-frame: minimum size	34,2cm

\* with rail support base in standard open position and in models with minimum adjustable vertical wheelbase