

# Caravan Active

SUITABLE FOR CARAVANS

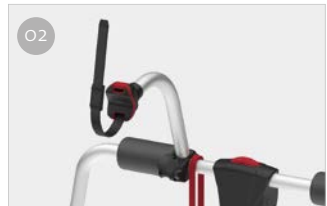
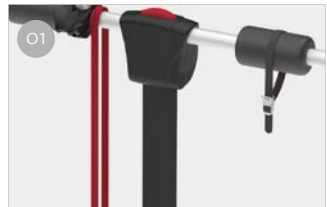


FROM 2 TO 3 BIKES / 2 E-BIKE

Thanks to the system with tensioning strap, access to the storage compartment is easy and quick. For transporting 2 E-Bikes or 3 standard bikes.

## FEATURES:

- Installation without drilling holes on standard A-frames
- With tensioning strap, allow quick access to the storage compartment
- The upper part pivots forward allowing access to the storage compartment even when bikes are mounted



### O1 Tensioning strap

Makes access to the storage compartment easy and immediate

### O2 Bike-Block

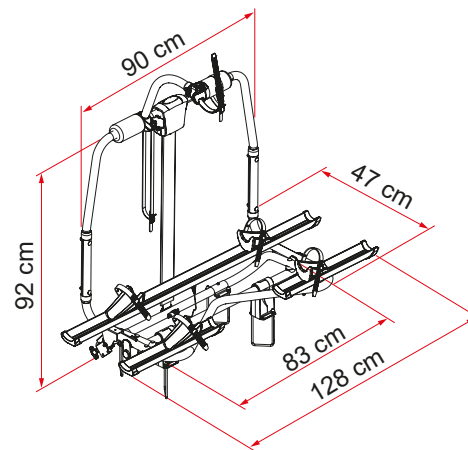
To securely lock the bike

### O3 Rail Premium

With bicycle support block for tyres up to 2.8"

### O4 Two-piece rail

Does not interfere with the caravan's parking systems



Description	Caravan Active
Item No.	02096-05-
Colour	Aluminium
Installation	
Vehicle	Caravan
<b>Technical features</b>	
Bikes carried standard	2
Bikes carried max	3
Max load	50kg
E-Bike	yes
Position	A frame
Dimensions*	128 x 47 x 92cm
Weight	11,2kg
Rail type	Rail Premium
Bike-Block	Pro S 3
Distance between rails	15cm
A-frame: minimum size	31,5cm

\* with rail support base in standard open position and in models with minimum adjustable vertical wheelbase