

CL

SUITABLE FOR MOTORHOMES

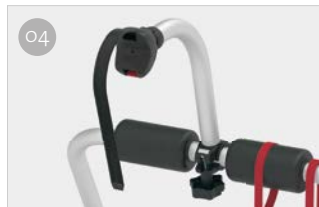
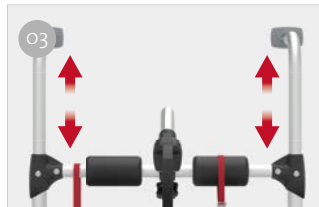


FROM 2 TO 3 BIKES

Compact aluminium structure, adjustable in height from 40 to 50cm. Ideal for vehicles with rear window.

FEATURES:

- Height-adjustable structure
- Aluminium 6060 rail support base light and resistant
- Lower fixing bar

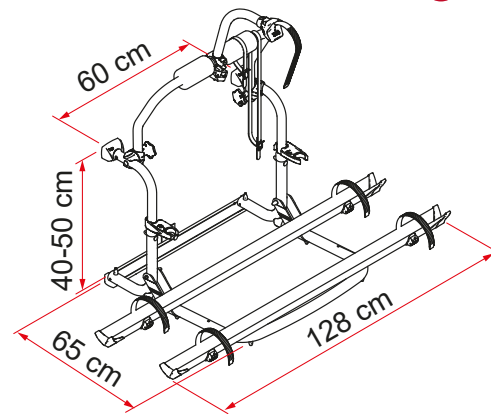


01 Rail Quick Pro
For quick and secure locking of the wheel to the rail

03 Upper structure
Height adjustable

02 Protective bumpers
To protect your bikes from scratches and impacts

04 Bike-Block
To securely lock the bike



Description	CL
Item No.	02093B87A
Colour	Aluminium
Installation	
Vehicle	Motorhome
Technical features	
Bikes carried standard	2
Bikes carried max	3
Max load	50kg
E-Bike	-
Position	Rear wall
Vertical wheelbase	40 - 50cm
Horizontal wheelbase (distance between brackets)	60cm
Dimensions*	128 x 65 x 40cm
Weight	5,6kg
Easy Position	-
Rail type	Rail Quick Pro
Bike-Block	Pro 3
Distance between rails	15cm

● Standard ● Optional

* with rail support base in standard open position and in models with minimum adjustable vertical wheelbase