

# 200 D

SUITABLE FOR VAN CONVERSION



PER 2 BICICLETTA STANDARD

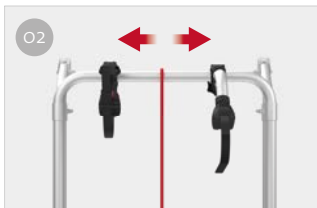
For van conversions with double rear doors, wheelbase variable from 58 to 62cm to adapt to different rear doors. Vertical wheelbase from 90 to 118cm.

## FEATURES:

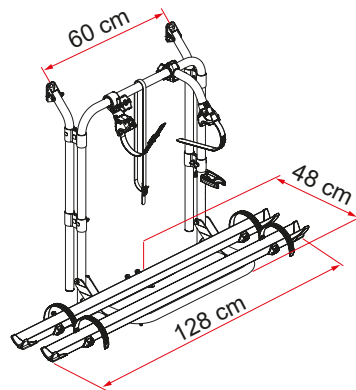
- Installation with standard fixing brackets
- Solid and light aluminium 6060 structure
- Rear door opens even with bikes mounted



**01 Rail Quick Pro**  
For quick and secure locking of the wheel to the rail



**02 Wheelbase**  
Variable horizontally and vertically to suit different hatches



Description	200 D
Item No.	02096-16-
Colour	Aluminium
Vehicle	Van conversion
Bikes carried standard	2
Bikes carried max	2
Max load	35 kg
E-Bike	-
Position	double door
Vertical wheelbase	90 - 118 cm
Horizontal wheelbase (distance between brackets)	60 cm
Dimensions *	128 x 48 x 90 cm
Weight	6,9 kg
Easy Position	-
Rail type	Rail Quick Pro
Bike-Block	Pro 1 / Pro 2
Distance between rails	15 cm
Licence Plate Carrier	●

● Standard

○ Optional