

Motor Lift 77

SUITABLE FOR MOTORHOMES



FROM 2 TO 4 BIKES / 2 E-BIKE

New motorised version of the Carry-Bike Lift 77.

FEATURES:

- Dropping support rail that lowers by 77cm
- Height-adjustable structure
- Crank handle with magnetic coupling for manual version,
- 12 V supply

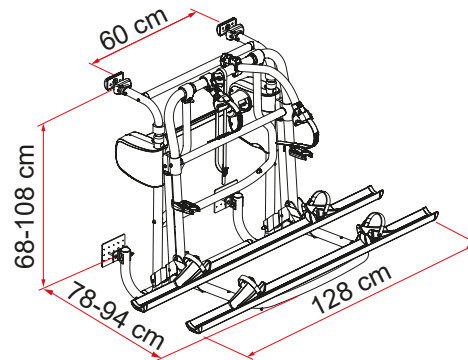


O1 Bike-Block
To securely lock the bike

O3 Dropping support rail
Lowers by 77cm to load and unload bicycles effortlessly

O2 Activation
By push-button for easy ascent and descent

O4 Tensioning belt
To allow the rail support base to be raised and lowered



Description	Motor Lift 77
Item No.	02096-29-
Colour	Aluminium
Installation	
Vehicle	Motorhome
Technical features	
Bikes carried standard	2
Bikes carried max	4
Max load	60kg
E-Bike	yes
Position	Rear wall
Vertical wheelbase	68 - 108cm
Horizontal wheelbase (distance between brackets)	60cm
Dimensions*	128 x 78 x 68cm
Weight	18,3kg
Easy Position	●
Rail type	Premium
Bike-Block	Pro 1 / Pro 3
Distance between rails	15cm

● Standard ● Optional

* with rail support base in standard open position and in models with minimum adjustable vertical wheelbase